

## CAUTIONS

### SAFETY INSTRUCTIONS READ THIS FIRST KEEP THESE INSTRUCTIONS

**CAUTION – RISK OF SHOCK:**  
Disconnect Power at the main circuit breaker panel or main fusebox before starting and during the installation.

**WARNING:**  
This fixture is intended for installation in accordance with the National Electrical Code (NEC) and all local code specifications. If you are not familiar with code requirements, installation by a certified electrician is recommended. Failure to adhere to these codes and instructions may result in serious injury and/or property damage and will void the warranty.

**CLEANING:**

- Always be certain that electric current is turned off before cleaning.
- Only a soft damp cloth should be used. Harsh cleaning products may damage the finish.

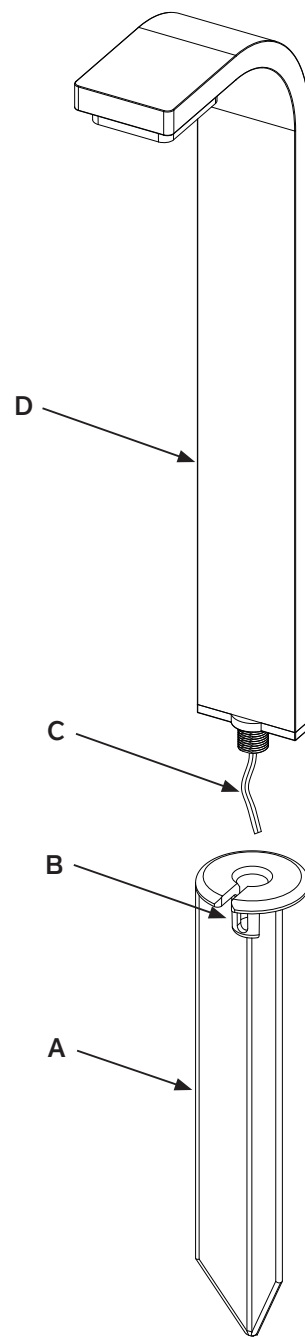
- WARNING – RISK OF ELECTRICAL SHOCK:** This fixture is not to be installed within 10 feet (3M) of a pool, spa or fountain.
- This fixture is to be used only with a power unit (transformer) rated a maximum of 300 W (25 AMPS) 15 volts.
- The unit low voltage cable shall:
  - a) be protected by routing in close proximity to the luminaire or fitting, or next to a building structure such as a house or deck;
  - b) not be buried except for a maximum 6 inches (15.2 cm) in order to connect to the main low voltage cable; and
  - c) have the length cut off so that it is connected to a connector within 6 inches (15.2 cm) from a building structure, a luminaire, or fitting.
- Direct burial rated wire is to be buried a minimum of 6" (152mm) beneath the surface of the ground.  
**NOTE:** If additional Direct Burial wire is needed, contact your local Kichler® landscape distributor.
  - 10 GA wire can be purchased in length of 250' (76 M), 15504-BK.
  - 12 GA wire can be purchased in lengths of 100' (30 M), 15501-BK; 250' (76 M), 15502-BK; 500' (152M), 15505-BK; and 1000' (304 M), 15506-BK.
- Wiring connections must be made with approved/listed wire connection device(s) suitable for the application. Do not exceed manufacturers' wiring combination specifications for size and quantity of conductors.

**CAUTION**  
**WHEN INSTALLING KICHLER LANDSCAPE LIGHTING (LINE VOLTAGE OR LOW VOLTAGE), CARE SHOULD BE TAKEN TO KEEP CLEAR OF POTENTIALLY COMBUSTIBLE MATERIALS. WHEN MAINTAINING THE FIXTURES, BE SURE TO REMOVE LEAVES, PINE NEEDLES, GRASS CLIPPINGS, MULCH, OR ANY DEBRIS THAT HAS ACCUMULATED ON THE LIGHT BULB, LENS, OR BODY OF THE FIXTURE.**

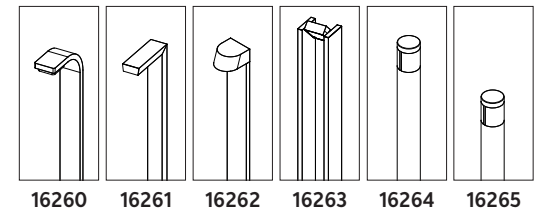
## INSTALLATION INSTRUCTIONS

- TURN OFF POWER.**
- Determine desired location for mounting fixture. At desired location, hammer stake [A] into ground. To avoid damage to stake, place a board on top of stake while hammering or use a rubber mallet. If ground is hard and stake is difficult to install, make a crosscut in ground using a flat shovel.
- Clear away area in ground at wireway opening [B] in stake.
- Route fixture cable [C] through wireway opening and screw stem [D] into stake. Care should be taken to ensure wire is not twisted. If assembly does not look straight, adjust by pushing or pulling on stake only.
- Make wire connections to main low voltage supply wire using gel filled wire nuts (supplied) following instructions on bag.
- ADJUSTING LIGHT DIRECTION (MODEL #16263 ONLY)**  
Locate the set screw on the top of the fixture (see Fig. 1).  
Use a hex key (supplied) to loosen the set screw (half-turn counterclockwise).  
Adjust light direction, then retighten the set screw (half-turn clockwise).  
**NOTE: Do not completely remove the set screw.**  
**NOTE:** Light direction can be adjusted as needed up to 45° from the factory setting (see Fig. 2).

## FIXTURE DIAGRAM



**NOTE: THESE INSTALLATION INSTRUCTIONS APPLY TO MODEL NUMBERS:**



## ADJUSTING MODEL #16263

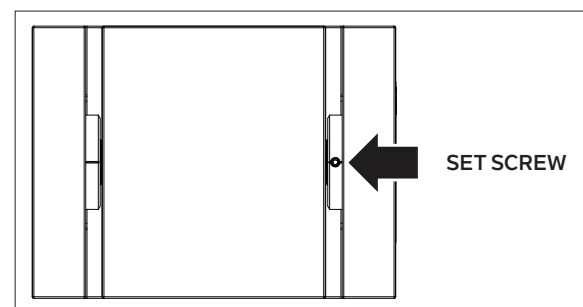


Fig. 1

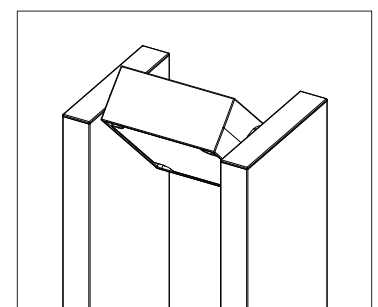


Fig. 2

## FCC INFORMATION

This device complies with part 15 of the FCC Rules. Operation is subject to the following two conditions:

1. This device may not cause harmful interference, and
2. This device must accept any interference received, including interference that may cause undesired operation.

Note: This equipment has been tested and found to comply with the limits for a Class B digital device, pursuant to part 15 of the FCC Rules. These limits are designed to provide reasonable protection against harmful interference in a residential installation. This equipment generates, uses and can radiate radio frequency energy and, if not installed and used in accordance with the instructions, may cause harmful interference to radio communications. However, there is no guarantee that interference will not occur in a particular installation. If this equipment does cause harmful interference to radio or television reception, which can be determined by turning the equipment off and on, the user is encouraged to try to correct the interference by one or more of the following measures:

- Reorient or relocate the receiving antenna.
- Increase the separation between the equipment and receiver.
- Connect the equipment into an outlet on a circuit different from that to which the receiver is connected.
- Consult the dealer or an experienced radio/TV technician for help.

## PRECAUCIONES

### INSTRUCCIONES DE SEGURIDAD PRIMERO LEA ESTO GUARDE ESTAS INSTRUCCIONES

#### PRECAUCIÓN – RIESGO DE DESCARGA ELÉCTRICA:

Desconecte la electricidad en el panel principal del interruptor automático o caja principal de fusibles antes de comenzar y durante la instalación.

#### ADVERTENCIA:

Este accesorio está destinado a la instalación de acuerdo con el National Electrical Code (NEC) y todas las especificaciones del código local. Si no está familiarizado con los requisitos del código, la instalación se recomienda un electricista certificado. No cumplir con estos códigos e instrucciones puede resultar en lesiones graves y/ o en daños a la propiedad y anulará la garantía.

#### LIMPIEZA:

- Asegúrese siempre de que la corriente eléctrica esté apagada antes de limpiar.
- Debe usarse solamente un paño húmedo y suave. Productos de limpieza abrasivos pueden dañar el acabado.

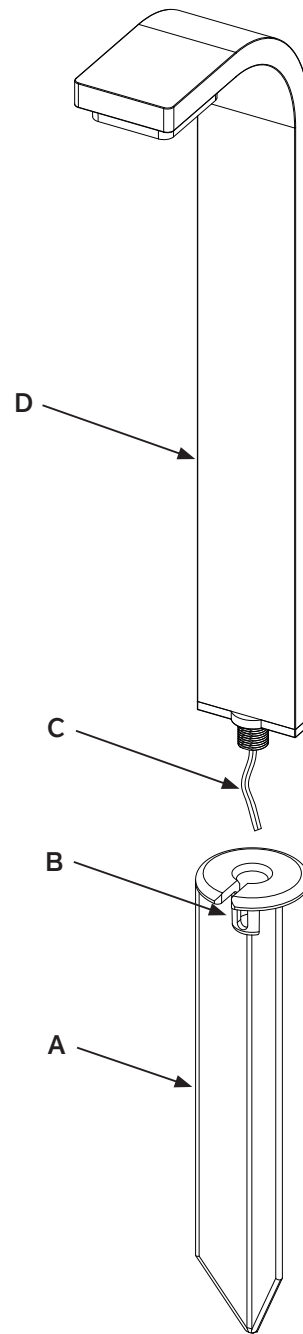
1. **ADVERTENCIA – RIESGO DE DESCARGA ELÉCTRICA:** Este artefacto no debe instalarse a menos de 10 pies (3 m) de una piscina (alberca), spa o fuente.
2. Úsese este artefacto de iluminación solo con una unidad de alimentación (transformador) de una potencia nominal máxima de 300 W (25 A) y 15 voltios.
3. El cable de baja tensión de la unidad deberá:
  - a) estar protegido por un tendido cercano a la luminaria o al accesorio, o junto a una estructura de construcción como una casa o una plataforma ("deck");
  - b) no estar enterrado, salvo un máximo de 6 pulgadas (15,2 cm) para conectarse al cable principal de baja tensión; y
  - c) tener la longitud cortada de manera que se conecte a un conector a menos de 6 pulgadas (15,2 cm) de una estructura de construcción, una luminaria o un accesorio.
4. Entiérrese el cable para soterrado directo a una profundidad mínima de 152 mm (6 pulgadas) del suelo.  
**NOTA:** si es necesario usar otro cable para soterrado directo, contacte con el distribuidor local de paisajismo de Kichler®.
  - Puede comprar cable de calibre 10 GA de una longitud de 76 m (250 pies), artículo 15504-BK.
  - Puede comprar cable de calibre 12 GA de una longitud de 30 m (100 pies), artículo 15501-BK; de 76 m (250 pies), artículo 15502-BK; de 152 m (500 pies), artículo 15505-BK; y de 304 m (1000 pies), artículo 15506-BK.
5. Realice las conexiones de cables con dispositivos afines aprobados o en listas compatibles con la aplicación. No exceda las especificaciones del fabricante para el tamaño y la cantidad de los conductores correspondientes a las combinaciones de cables.

**PRECAUCION**  
**CUANDO SE INSTALE SISTEMAS DE ALUMBRADO KICHLER PARA JARDINES (YA SEA DE VOLTAJE DE LINEA O CON VOLTAJE BAJO) SE DEBE TENER CUIDADO DE MANTENERLOS ALEJADOS DE MATERIALES QUE PUEDAN SER COMBUSTIBLES EN POTENCIA.**  
**AL DAR SERVICIO DE MANTENIMIENTO A ESTOS SISTEMAS, ASEGURESE DE DESPEJAR LAS HOJAS, CONOS DE PINO, RECORTES DEL PASTO, CUBIERTA DE PAJA O CUALQUIER BASURA QUE SE HAYA ACUMULADO EN LA BOMBILLA DE LUZ, EL LENTE O EL CUERPO DEL ARTEFACTO.**

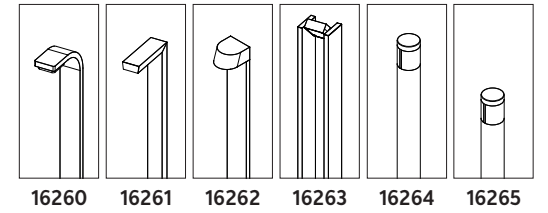
## INSTRUCCIONES DE INSTALACIÓN

1. **APAGUE LA ALIMENTACIÓN ELÉCTRICA.**
2. Determine la ubicación deseada para montar el artefacto. En la ubicación deseada, clave con martillo una estaca[A] dentro del suelo. Para evitar daños a la estaca, coloque una tabla sobre la parte superior de la estaca mientras está martillando o utilice un mazo de caucho. Si el suelo está duro y es difícil instalar la estaca, haga un corte transversal en el suelo utilizando una pala plana.
3. Despeje el área en el suelo en la abertura del canal de alambre[B] en la estaca.
4. Encamine el cable[C] del artefacto a través de la abertura del canal de alambre y atornille el vástago[D] dentro de la estaca. Deberá tenerse cuidado para asegurar que el alambre no esté retorcido. Si el ensamblaje no parece estar recto, ajústelo solamente empujando o jalando la estaca.
5. Haga las conexiones al cable principal de alimentación de bajo voltaje utilizando tuercas para cables rellenas de gel (suministradas) siguiendo las instrucciones de la bolsa.
6. **AJUSTE DE LA DIRECCIÓN DE LA LUZ (SÓLO MODELO N° 16263)**  
 Localice el tornillo de ajuste en la parte superior del artefacto (ver Fig. 1).  
 Utilice una llave hexagonal (suministrada) para aflojar el tornillo de ajuste (media vuelta en sentido antihorario).  
 Ajuste la dirección de la luz y, a continuación, vuelva a apretar el tornillo de ajuste (media vuelta en el sentido de las agujas del reloj).  
**NOTA: No retire completamente el tornillo de ajuste.**  
**NOTA:** La dirección de la luz puede ajustarse según sea necesario hasta 45° con respecto al ajuste de fábrica (ver Fig. 2).

## DIAGRAMA DE ACCESORIOS



**NOTA:** ESTAS INSTRUCCIONES DE INSTALACIÓN SE APLICAN A LOS NÚMEROS DE MODELO:



## AJUSTE DEL MODELO #16263

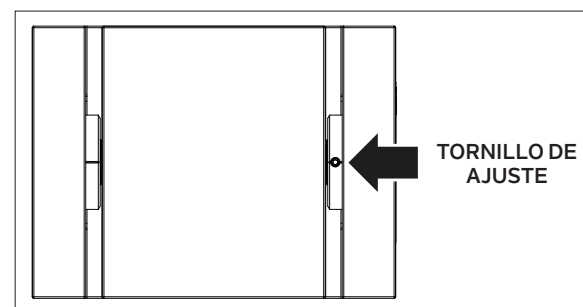


Fig. 1

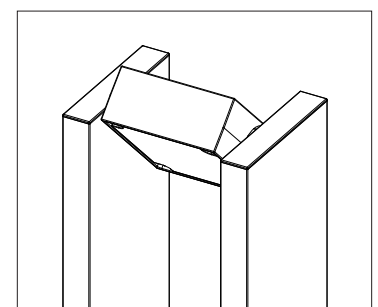


Fig. 2

## INFORMACIÓN DE LA FCC

Este dispositivo cumple con la parte 15 de las Reglas de la FCC. La operación es sujeta a las dos condiciones siguientes:

1. Este dispositivo no puede causar interferencia dañina, y
2. Este dispositivo debe aceptar cualquier interferencia recibida, incluyendo interferencias que puedan causar un funcionamiento no deseado.

Nota: Este equipo ha sido probado y cumple con los límites para un dispositivo digital de Clase B, de acuerdo con la parte 15 de las Reglas de la FCC. Estos límites están diseñados para proveer protección razonable contra interferencias dañinas en una instalación residencial. Este equipo genera, utiliza y puede irradiar energía de radiofrecuencia y, si no se instala y utiliza de acuerdo con las instrucciones, puede causar interferencias en las comunicaciones por radio. Sin embargo, no hay garantía de que no se produzcan interferencias en una instalación en particular. Si este equipo causa interferencia perjudicial a la recepción de radio o televisión, que puede determinarse encender y apagar el equipo, se recomienda al usuario que intente corregir la interferencia mediante una o más de las siguientes medidas:

- Reorientar o reubicar la antena receptora.
- Aumentar la separación entre el equipo y el receptor.
- Conecte el equipo a una toma de corriente en un circuito distinto al que está conectado el receptor.
- Consulte al distribuidor o a un técnico de radio / TV experimentado para obtener ayuda.

**INSTRUCTIONS:**  
For Assembling and Installing Fixtures in Canada  
Pour L'assemblage et L'installation Au Canada

**OUTDOOR USE ONLY**  
**DOM ETRE INSTALLE A L'EXTERIEUR**

## CAUTIONS

### SAFETY INSTRUCTIONS READ THIS FIRST KEEP THESE INSTRUCTIONS

**CAUTION – RISK OF SHOCK:**  
Disconnect Power at the main circuit breaker panel or main fusebox before starting and during the installation.

**WARNING:**  
This fixture is intended for installation in accordance with the Canadian Electrical Code (CEC) and all local code specifications. If you are not familiar with code requirements, installation by a certified electrician is recommended. Failure to adhere to these codes and instructions may result in serious injury and/or property damage and will void the warranty.

**CLEANING:**

- Always be certain that electric current is turned off before cleaning.
- Only a soft damp cloth should be used. Harsh cleaning products may damage the finish.

#### FOR USE WITH LANDSCAPE LIGHTING SYSTEMS ONLY.

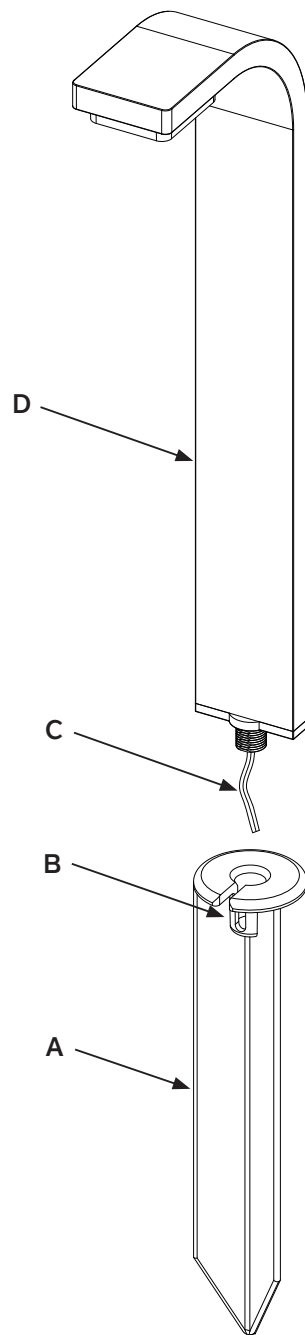
1. The device is accepted as a component of a landscape lighting system where the suitability of the combination shall be determined by CSA or local inspection authorities having jurisdiction.
2. Fixture shall be connected to an extra low voltage transformer approved for use with landscape lighting systems.
3. This fixture is to be connected to a secondary wiring of the following type:  
12 GA 60°C minimum type;  
SPT-3 suitable for outdoor use; or  
approved landscape lighting cable.
4. **WARNING – RISK OF ELECTRICAL SHOCK:** This fixture is not to be installed within 10 feet (3M) of a pool, spa or fountain.
5. This fixture is to be used only with a power unit (transformer) rated a maximum of 300 W (25 AMPS) 15 volts.
6. The unit low voltage cable shall:
  - a) be protected by routing in close proximity to the luminaire or fitting, or next to a building structure such as a house or deck;
  - b) not be buried except for a maximum 6 inches (15.2 cm) in order to connect to the main low voltage cable; and
  - c) have the length cut off so that it is connected to a connector within 6 inches (15.2 cm) from a building structure, a luminaire, or fitting.
7. Direct burial rated wire is to be buried a minimum of 6" (152mm) beneath the surface of the ground.  
**NOTE:** If additional Direct Burial wire is needed, contact your local Kichler® landscape distributor.
  - 10 GA wire can be purchased in length of 250' (76 M), 15504-BK.
  - 12 GA wire can be purchased in lengths of 100' (30 M), 15501-BK; 250' (76 M), 15502-BK; 500' (152M), 15505-BK; and 1000' (304 M), 15506-BK.
8. Wiring connections must be made with approved/listed wire connection device(s) suitable for the application. Do not exceed manufacturers' wiring combination specifications for size and quantity of conductors.

**CAUTION**  
**WHEN INSTALLING KICHLER LANDSCAPE LIGHTING (LINE VOLTAGE OR LOW VOLTAGE), CARE SHOULD BE TAKEN TO KEEP CLEAR OF POTENTIALLY COMBUSTIBLE MATERIALS.**  
**WHEN MAINTAINING THE FIXTURES, BE SURE TO REMOVE LEAVES, PINE NEEDLES, GRASS CLIPPINGS, MULCH, OR ANY DEBRIS THAT HAS ACCUMULATED ON THE LIGHT BULB, LENS, OR BODY OF THE FIXTURE.**

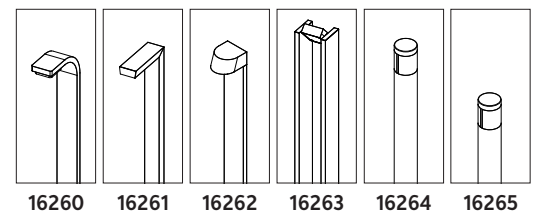
## INSTALLATION INSTRUCTIONS

1. **TURN OFF POWER.**
2. Determine desired location for mounting fixture. At desired location, hammer stake [A] into ground. To avoid damage to stake, place a board on top of stake while hammering or use a rubber mallet. If ground is hard and stake is difficult to install, make a crosscut in ground using a flat shovel.
3. Clear away area in ground at wireway opening [B] in stake.
4. Route fixture cable [C] through wireway opening and screw stem [D] into stake. Care should be taken to ensure wire is not twisted. If assembly does not look straight, adjust by pushing or pulling on stake only.
5. Make wire connections to main low voltage supply wire using gel filled wire nuts (supplied) following instructions on bag.
6. **ADJUSTING LIGHT DIRECTION (MODEL #16263 ONLY)**  
Locate the set screw on the top of the fixture (see Fig. 1).  
Use a hex key (supplied) to loosen the set screw (half-turn counterclockwise).  
Adjust light direction, then retighten the set screw (half-turn clockwise).  
**NOTE: Do not completely remove the set screw.**  
**NOTE:** Light direction can be adjusted as needed up to 45° from the factory setting (see Fig. 2).

## FIXTURE DIAGRAM



**NOTE:** THESE INSTALLATION INSTRUCTIONS APPLY TO MODEL NUMBERS:



### ADJUSTING MODEL #16263

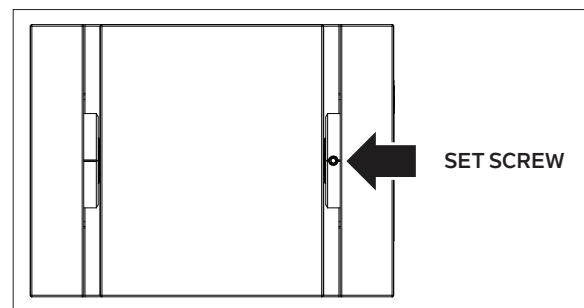


Fig. 1

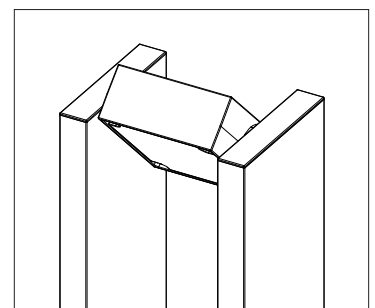


Fig. 2

## FCC INFORMATION

This device complies with part 15 of the FCC Rules. Operation is subject to the following two conditions:

1. This device may not cause harmful interference, and
2. This device must accept any interference received, including interference that may cause undesired operation.

Note: This equipment has been tested and found to comply with the limits for a Class B digital device, pursuant to part 15 of the FCC Rules. These limits are designed to provide reasonable protection against harmful interference in a residential installation. This equipment generates, uses and can radiate radio frequency energy and, if not installed and used in accordance with the instructions, may cause harmful interference to radio communications. However, there is no guarantee that interference will not occur in a particular installation. If this equipment does cause harmful interference to radio or television reception, which can be determined by turning the equipment off and on, the user is encouraged to try to correct the interference by one or more of the following measures:

- Reorient or relocate the receiving antenna.
- Increase the separation between the equipment and receiver.
- Connect the equipment into an outlet on a circuit different from that to which the receiver is connected.
- Consult the dealer or an experienced radio/TV technician for help.

**INSTRUCTIONS:**  
For Assembling and Installing Fixtures in Canada  
Pour L'assemblage et L'installation Au Canada

**OUTDOOR USE ONLY**  
**DOM ETRE INSTALLE A L'EXTERIEUR**

## PRÉCAUTIONS

LIRE TOUTES LES DIRECTIVES AVEC SOIN AVANT DE COMMENCER L'INSTALLATION  
CONSERVER CES DIRECTIVES

**ATTENTION – RISQUE DE DÉCHARGES ÉLECTRIQUES :**  
Couper le courant au niveau du panneau du disjoncteur du circuit principal ou de la boîte à fusibles principale avant de procéder à l'installation.

**AVERTISSEMENT :**  
Ce luminaire doit être installé conformément aux Codes D'électricité Canadien (CEC) et satisfaire toutes les spécifications des codes locaux. Si vous ne connaissez pas les exigences de ces codes, il est recommandé de confier l'installation à un électricien certifié. Ne pas se conformer à ces codes et directives pourrait provoquer des blessures sérieuses et/ou des dommages matériels et rendre la garantie non valide.

**NETTOYAGE :**

- Soyez toujours certain que l'alimentation électrique du luminaire est fermée avant le nettoyage.
- N'utilisez qu'un chiffon doux humide. Les produits de nettoyage acides/abrasifs peuvent endommager le fini.

### A UTILISER UNIQUEMENT POUR LES SYSTÈMES D'ÉCLAIRAGE PAYSAGER

1. Le dispositif est accepté en tant que composant d'un système d'éclairage paysager lorsque la compatibilité de la combinaison doit être déterminée par CSA ou les autorités d'inspection locales ayant compétence.
  2. L'appareil doit être connecté à un transformateur supplémentaire à basse tension approuvé pour une utilisation avec les systèmes d'éclairage paysager.
  3. Cet appareil doit être connecté à un câblage secondaire du type suivant:  
12GA 60°C type minimum;  
SPT-3 compatible pour utilisation extreme;  
ou câble d'éclairage paysager agréé.
  4. **AVERTISSEMENT – RISQUE DE CHOC ÉLECTRIQUE :** Ce luminaire ne doit pas être installé à moins de 3 m d'une piscine, d'un spa ou d'une fontaine.
  5. Ce luminaire doit être utilisé uniquement avec une unité d'alimentation (transformateur) d'une puissance maximale de 300 W (25 AMP) 15 V.
  6. Le câble basse tension de l'unité :
    - a) doit être protégé en acheminant le câble près des luminaires ou des raccords ou près de la structure d'un bâtiment telle qu'une maison ou une terrasse ;
    - b) ne doit pas être souterrain sauf pour les 15,2 cm (6 po) maximum servant à la connexion au câblage secondaire principal ; et
    - c) doit avoir la longueur coupée de manière à ce qu'il soit raccordé à un connecteur à moins de 15,2 cm (6 po) d'une structure de bâtiment, d'un luminaire ou d'un raccord.
  7. Le fil à enfouissement direct doit être enterré à au moins 152 mm sous la surface du sol.
- REMARQUE :** si des fils supplémentaires sont nécessaires pour l'installation souterraine, contacter le distributeur local des produits paysagistes Kichler®.
- Un fil 10 GA peut être acheté dans une longueur de 76 m (15504-BK).
  - Un fil 12 GA peut être acheté dans une longueur de 30 m (15501-BK); 76 m (15502-BK); 152 m (15505-BK); et 304 m (15506-BK).
8. Câblage connexions doivent être faites avec fil approuvé/répertoriés connexion ou les dispositifs adaptés à l'application. Ne pas dépasser les spécifications du fabricant du câblage combinaison pour la taille et la quantité des conducteurs.

**ATTENTION**  
LORS DE L'INSTALLATION D'ÉCLAIRAGE DE JARDIN KICHLER (TENSION DU SECTEUR OU BASSE TENSION), PRENEZ SOIN DE LE MAINTENIR DÉGAGÉ DE TOUT MATÉRIEL COMBUSTIBLE.

LORS DE L'ENTRETIEN DE LA LAMPE, ASSUREZ-VOUS DE RETIRER LES FEUILLES, LES AIGUILLES DE PIN, LES BRINS D'HERBE, L'HUMUS, ET TOUT DÉBRIS QUI S'EST ACCUMULÉ SUR L'AMPOULE DE LA LAMPE, LA LENTILLE OU LE CORPS DU LUMINAIRE.

## INSTRUCTIONS D'INSTALLATION

1. **COUPER LE COURANT ÉLECTRIQUE.**
2. Déterminer l'emplacement pour l'installation du luminaire. À l'endroit choisi, enfoncer le piquet [A] dans le sol. Pour ne pas endommager le piquet, placer une plaque en haut du piquet et taper dessus avec un marteau ou un maillet en caoutchouc. Si le sol est dur et que le piquet est difficile à installer, creuser un trou en parallèle dans le sol à l'aide d'une pelle plate.
3. Nettoyer la terre au niveau du chemin de câble [B] dans le piquet.
4. Acheminer le câble [C] du luminaire par le chemin de câbles et visser la tige [D] dans le piquet. Prendre toute les précautions nécessaires pour ne pas tordre le fil. Si le montage ne paraît pas droit, ajuster en enfonçant ou en ressortant le piquet (n'ajuster que le piquet).
5. Effectuez les connexions des fils au fil d'alimentation basse tension du secteur à l'aide des connecteurs remplis de gel (fournis) en suivant les instructions sur le sac.

### 6. RÉGLAGE DE LA DIRECTION DE LA LUMIÈRE (MODÈLE N°16263 UNIQUEMENT)

Localisez la vis de réglage sur le dessus du luminaire (Voir Fig. 1).

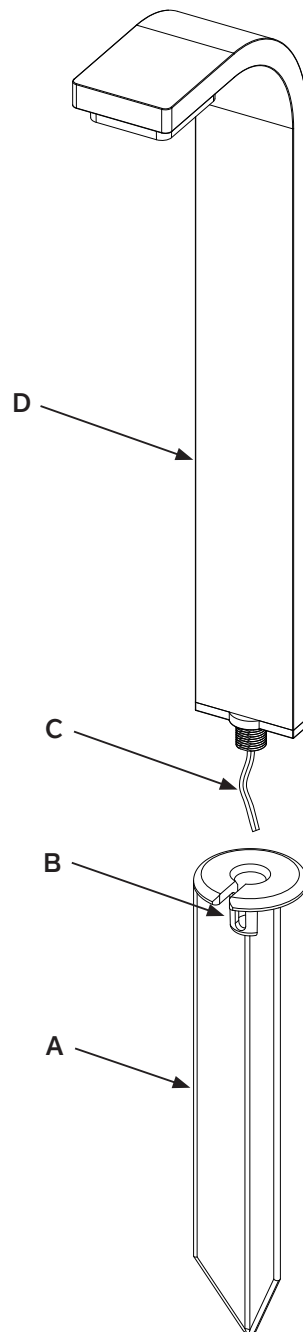
Utilisez une clé hexagonale (fournie) pour desserrer la vis de réglage (demi-tour dans le sens inverse des aiguilles d'une montre).

Ajustez la direction de la lumière, puis resserrez la vis de réglage (demi-tour dans le sens des aiguilles d'une montre).

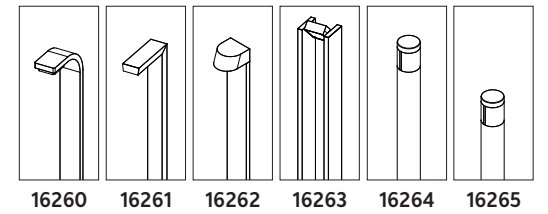
**REMARQUE : Ne pas retirer complètement la vis de réglage.**

**REMARQUE :** La direction de la lumière peut être ajustée selon les besoins jusqu'à 45° par rapport au réglage d'usine (Voir Fig. 2).

## DIAGRAMME D'APPAREILS



**REMARQUE :** CES INSTRUCTIONS D'INSTALLATION CONCERNENT LES MODÈLES N° :



### RÉGLAGE DU MODÈLE N° 16263

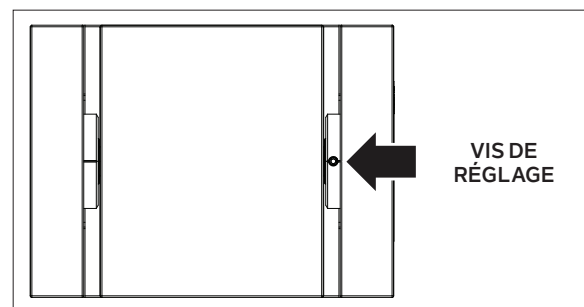


Fig. 1

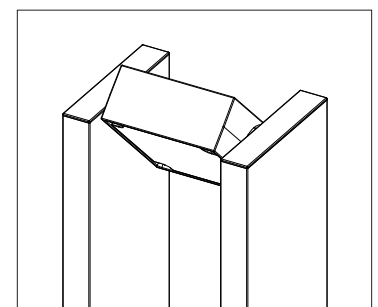


Fig. 2

## FCC INFORMATION

Cet appareil est conforme à la section 15 de la réglementation de la FCC. L'exploitation est soumise aux deux conditions suivantes :

1. Cet équipement ne doit pas causer d'interférences nuisibles, et
2. Cet équipement doit accepter toute interférence reçue, y compris les interférences risquant d'engendrer un fonctionnement indésirable.

Remarque: Des tests ont confirmé que ce matériel respecte les limites d'un dispositif numérique de catégorie B, en vertu de la section 15 de la réglementation de la FCC. Ces limites ont été conçues pour fournir une protection raisonnable contre le brouillage nuisible d'une installation résidentielle. Cet équipement génère, utilise et peut rayonner de l'énergie radiofréquence et, s'il n'est pas installé et utilisé selon les instructions, peut causer de l'interférence nuisible aux communications de radio. Cependant, il est néanmoins possible qu'il y ait de l'interférence dans une installation en particulier. Si cet équipement cause du brouillage nuisible à la réception du signal de radio ou de télévision, ce qui peut être déterminé en éteignant puis en rallumant l'appareil, l'utilisateur peut essayer de corriger l'interférence en appliquant une des mesures suivantes :

- Réorienter l'antenne de réception ou changer son emplacement.
- Augmenter la distance séparant l'équipement et le récepteur.
- Brancher le matériel dans la prise de courant d'un circuit différent de celui auquel le récepteur est branché.
- Consulter le revendeur ou un technicien radio/télé d'expérience.