

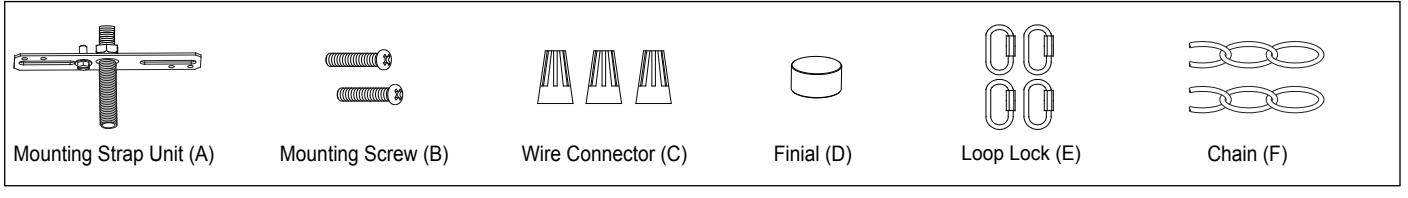
ASSEMBLY AND INSTALLATION INSTRUCTIONS

H0263

WARNING: TO AVOID RISK OF ELECTRICAL SHOCK, BE SURE TO SHUT OFF POWER BEFORE INSTALLING OR SERVICING THIS FIXTURE.

NOTES: 1. Before installing, consult local electrical codes for wiring and grounding requirements.
2. READ AND SAVE THIS INSTRUCTION.

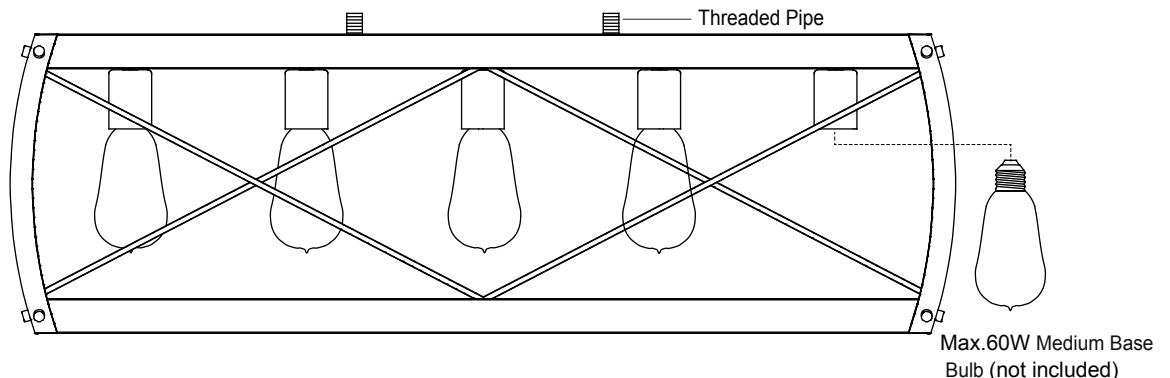
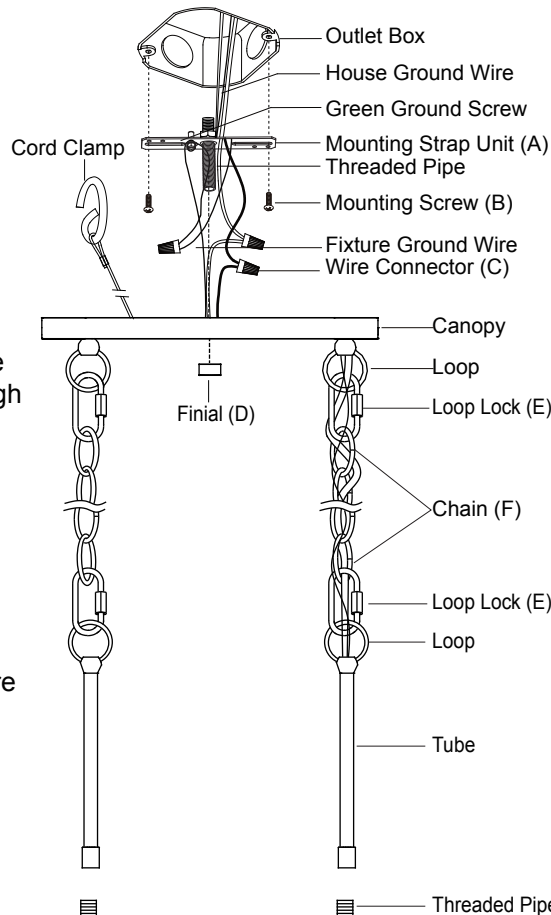
Hardware Package (included):



Installation Steps

Turn off the power at fuse or circuit box.

1. Attach the mounting strap unit (A) to the outlet box using two mounting screws (B).
2. Attach the tube onto the threaded pipe and tighten it.
3. Choose the length of the chain (F) you need, use pliers (not included) to open and remove links to shorten the chain (F), then weave the fixture wire and the fixture ground wire through the chain (F) and canopy.
Note: Length adjustable from 19-1/2" to 96-1/2". Use fewer rods if shorter length is desired.
4. Connect one end of the chain (F) with the loop by using a loop lock (E).
5. Thread the fixture wire and fixture ground wire through mounting strap unit (A).
6. Attach the cord clamp onto the mounting strap unit (A).



7. Pull out the source wires from the outlet box. Make wire connections using wire connectors (C) as follows:
 - Connect the smooth-coated wire (marked) from the fixture to the black wire from the power source.
 - Connect the ribbed-coated wire (unmarked) from the fixture to the white wire from the power source.
 - Attach the fixture ground wire to the mounting strap unit (A) with the green ground screw, then connect it to the house ground wire with a wire connector (C).
 Carefully put the wires back into the outlet box.

8. Attach the canopy to the mounting strap unit (A) and secure it with a finial (D).

9. Install the bulbs (not included). See relamping label at socket area or packaging for maximum wattage allowed.

Turn on the power at fuse or circuit box.

The following parts are available for re-order if damaged or missing.

