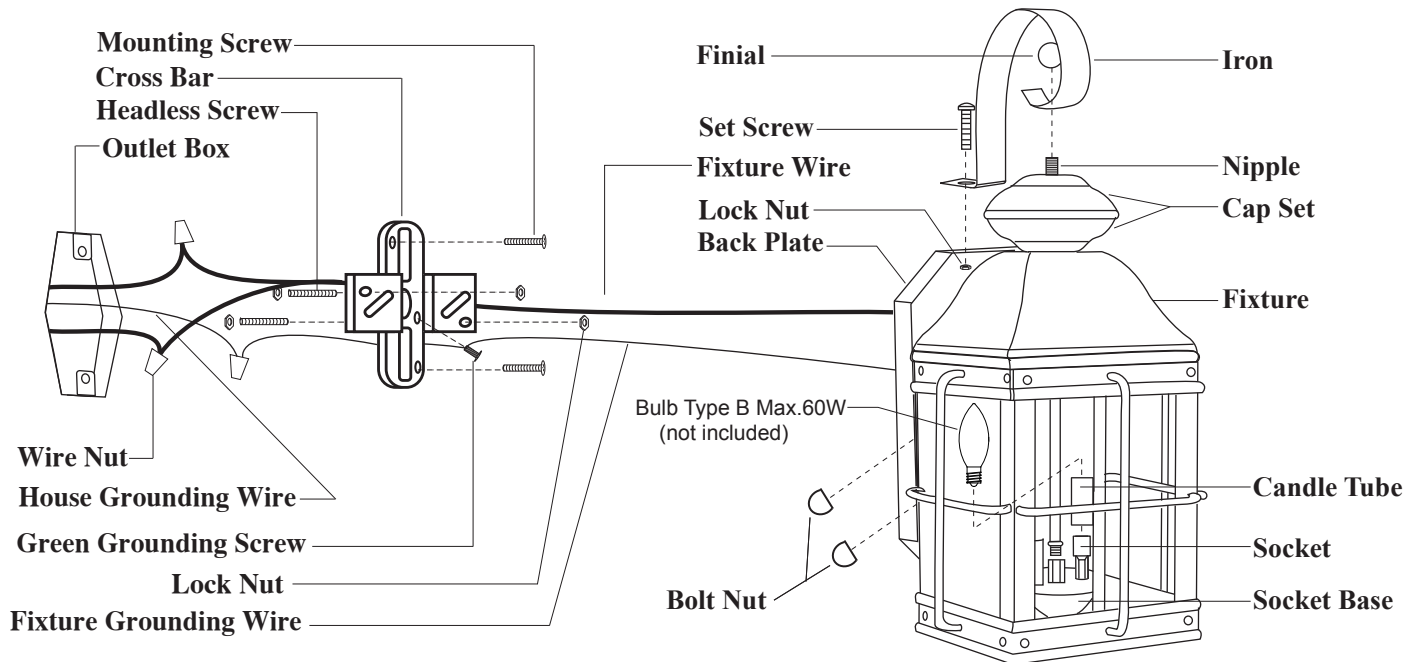


ASSEMBLY AND INSTALLATION INSTRUCTIONS

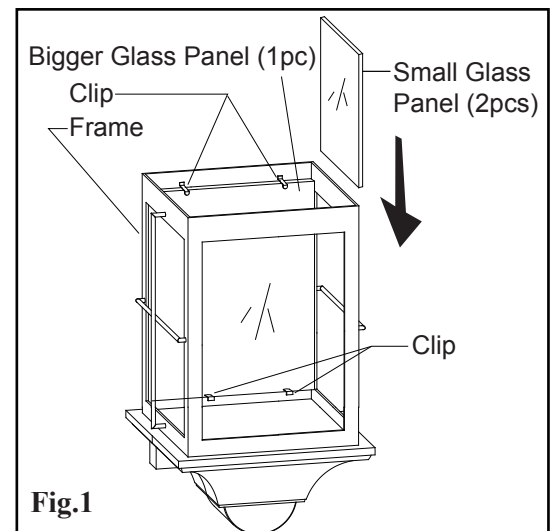
OW39593

WARNING: BE SURE TO SHUT OFF POWER AT THE MAIN FUSE OR CIRCUIT BREAKER BOX BEFORE INSTALLING OR SERVICING THIS FIXTURE.

**NOTE: 1. Before installing, consult local electrical codes for wiring and grounding requirements.
2. READ AND SAVE THIS INSTRUCTION.**



1. Thread two headless screws to the cross bar, and secure them with four lock nuts (two on each side of the cross bar). Adjust the length of the headless screws if necessary.
2. Attach the cross bar to the outlet box by using two mounting screws.
3. Make the bottom of the fixture upward, gently place one bigger glass panel and two small glass panels into the frame, then press the clips to secure the glass panels. (See Fig.1)
4. Secure one end of the iron to the back plate by using the set screw and the lock nut. Then attach the other end of the iron to the cap set by inserting the nipple, then secure with the finial.
5. Pull out the outlet wires and the house grounding wire from the outlet box. Make wire connections using the wire nuts:
 - Connect the black wire from the fixture to the black wire from the power source.
 - Connect the white wire from the fixture to the white wire from the power source.
 - Attach the fixture grounding wire to the cross bar with the green grounding screw. Then connect it to the house grounding wire with a wire nut.
 Carefully put the wires back into the outlet box.



6. Attach the back plate to the cross bar by inserting the headless screws, then secure it with two bolt nuts.

CAUTION: With silicone caulking compound, caulk completely around where the back plate meets with the wall surface to prevent water from seeping into the outlet box.

7. Install a bulb (not included). See relamping label at socket area or packaging for maximum allowed wattage.
8. Turn on the power at the main fuse or circuit breaker box.